



The double polishing machines (DPC) are available in two versions, for polishing wheels with a diameter of 150 mm and 200 mm, with various power ratings. Both versions are equipped on both sides with a conical spindle and are fitted with polishing covers for optimum safety.



DPC 8200T

Key to codes

DPC	double polishing conical
8150	series 8000 / ø 150 mm
8200	series 8000 / ø 200 mm
T	table model



Creusen
Professional



DPC 8150T

1~

Voltage: 230 V 1~ 50-60 Hz

art. 004103

Power: 500 W

Speed: 2800-3400 rpm

Polishing wheel d1 x b x d2: 150 x 20 x 15 mm

UK version art. 004114



DPC 8200T

1~

Voltage: 230 V 1~ 50-60 Hz

art. 004257

Power: 800 W

Speed: 2800-3400 rpm

Polishing wheel d1 x b x d2: 200 x 20 x 10 mm

UK version art. 004268

Features

- Dutch quality product
- available in 1~ phase
- high power
- high operating reliability
- versatile, thanks to wide range of accessories
- constructed in accordance with international standards and regulations
- 5 year warranty



Dutch quality product



Thermal overload protection



Switch with no-volt release and emergency stop



Conical spindles on shaft-end



Polishing wheels in \varnothing 150 mm or \varnothing 200 mm are suitable for fitting to the conical spindle



Polishing covers in \varnothing 150 mm or \varnothing 200 mm ensure safety during polishing



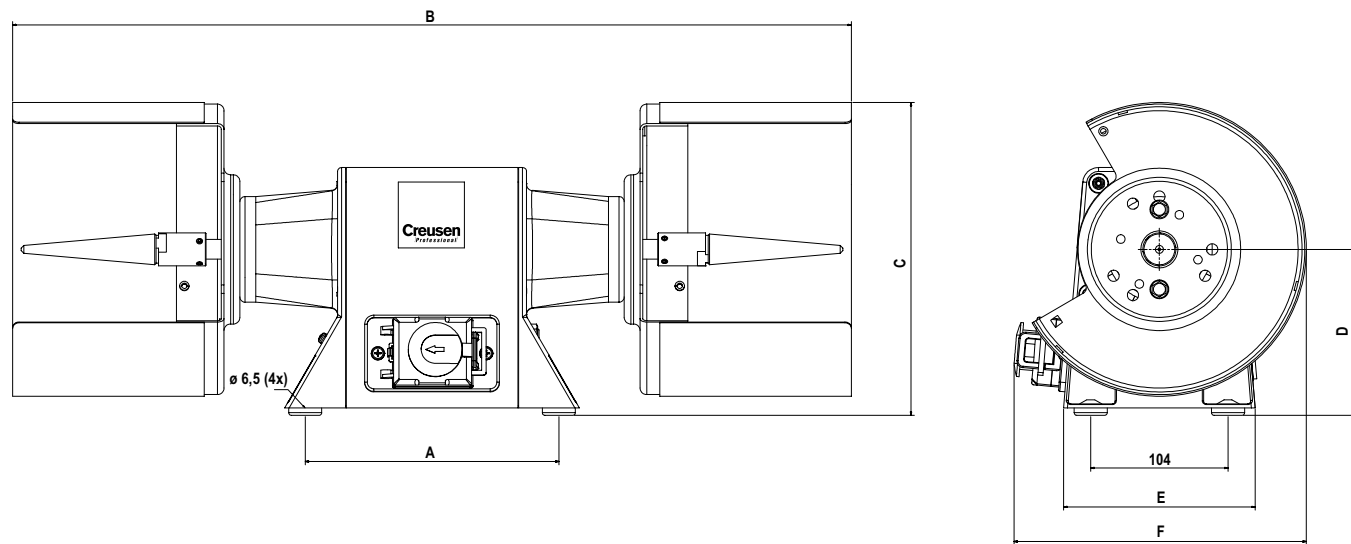
Pedestal K 8000



Polishing

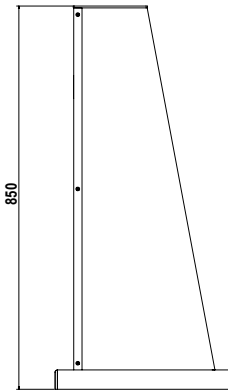
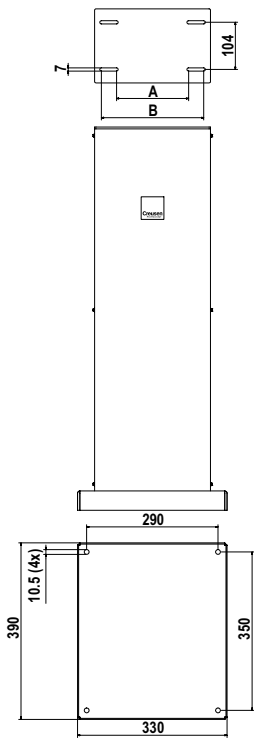


5 year warranty



Type	A	B	C	D	E	F
DPC 8150T	172	591	210	126	145	194
DPC 8200T	192	640	240	126	145	222

Type	DPC 8150T 1~	DPC 8200T 1~
Voltage (V)	230	230
Frequency (Hz)	50-60	50-60
Power (W)	500	800
Speed (rpm)	2800-3400	2800-3400
Peripheral speed (m/s)	22-26	30-36
Polishing wheel d1 x b x d2 (mm)	150 x 20 x 15	200 x 20 x 10
(not standard)		
Noise level dB (A)	45	50
Weight (kg)	11	15
Article number *	004103	004257
UK version article number	004114	004268
* Other versions on request		
Key to codes		
DPC double polishing conical		
8150 series 8000 / ø 150 mm		
8200 series 8000 / ø 200 mm		
T table model		



Type	A	B
8150	172	-
8200	-	192



DS 8200T
on pedestal AK 8000
Stable steelplate
pedestal with integrated
dust extraction, with easy-
to-change heat resistant
filter in collector tray
Only available in this
combination



Tool tray with water cup

Type	AK 8000 1~	K 8000
Extraction motor	N252	
Voltage (V)	230	
	1~	
Frequency (Hz)	50-60	
Power (W)	100	
Speed (rpm)	2800-3400	
Capacity m ³ /h	450	
Hose connection (mm)	2 x ø 50	
Height	850	850
Dimensions upper plate (mm)	256 x 162	256 x 162
Dimensions bottom plate (mm)	330 x 390	330 x 390
Noise level dB (A)	70	
Weight (kg)	40	20
Filter	200 x 200	200 x 200
Article number	004290 *	007183
UK version	004279	
* only in combination with DS 8200T		
Key to codes		
K	pedestal	
AK	extraction pedestal	